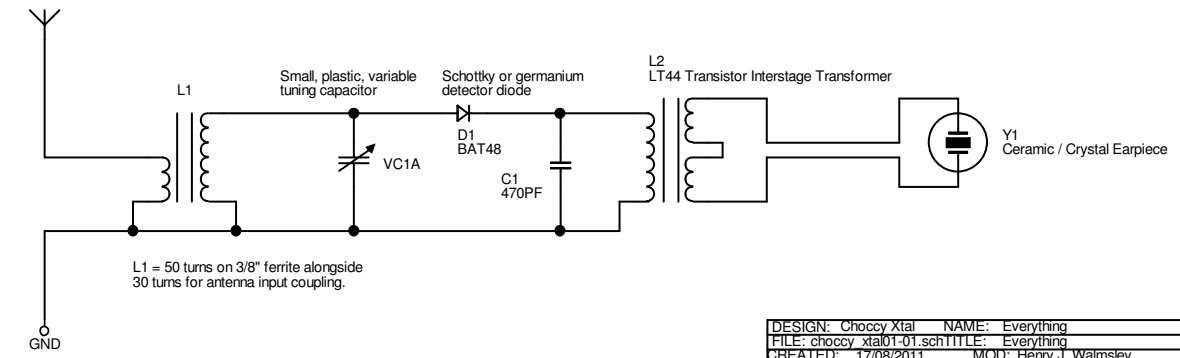


Choccy Block / Terminal Connector Crystal Radio.

All parts shown are in production as of 2011.
 The design is optimised for good sound level on poorer aerial connections.
 The tuning range is about 750 to 1600kHz MW AM

Aerial Connection:
 Long wire, bedframe, chimney or other metal structure.



L1 = 50 turns on 3/8" ferrite alongside
 30 turns for antenna input coupling.

Ground connection: Radiator or water pipe

DESIGN: Choccy Xtal	NAME: Everything
FILE: choccy_xtal01-01.sch	TITLE: Everything
CREATED: 17/08/2011	MOD: Henry J. Waimesley
SHEET: 1 OF 1	REV: 1.0 SIZE: A3